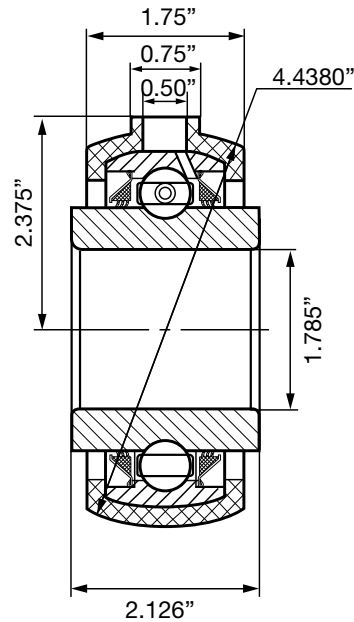




CDS211TTR23 - Rubber Mounted Disc Harrow Bearing • Round Bore • Regreasable

HLU Unit No.	Round Bore Diameter in.	Outer Boot Diameter		Ring Width			Load Ratings lbs		Weight lbs
		mm	inch	Inner Ring	Outer Ring		Dynamic Load Cr	Static Load Cor	
				inches	mm	inches			
CDS211TTR23	1.7850	112.7	4.4380	2.1260	45.50	1.7913	9456	6570	3.80



Replaces Great Plains #822-026C
 Replaces Krause #2410-11-0
 Stock Item

SPECIAL HOUSED DISC HARROW UNITS

HLU Unit # PB216RA x 2 1/4"



Replaces Kewanee #B2951

Trunnion Units

