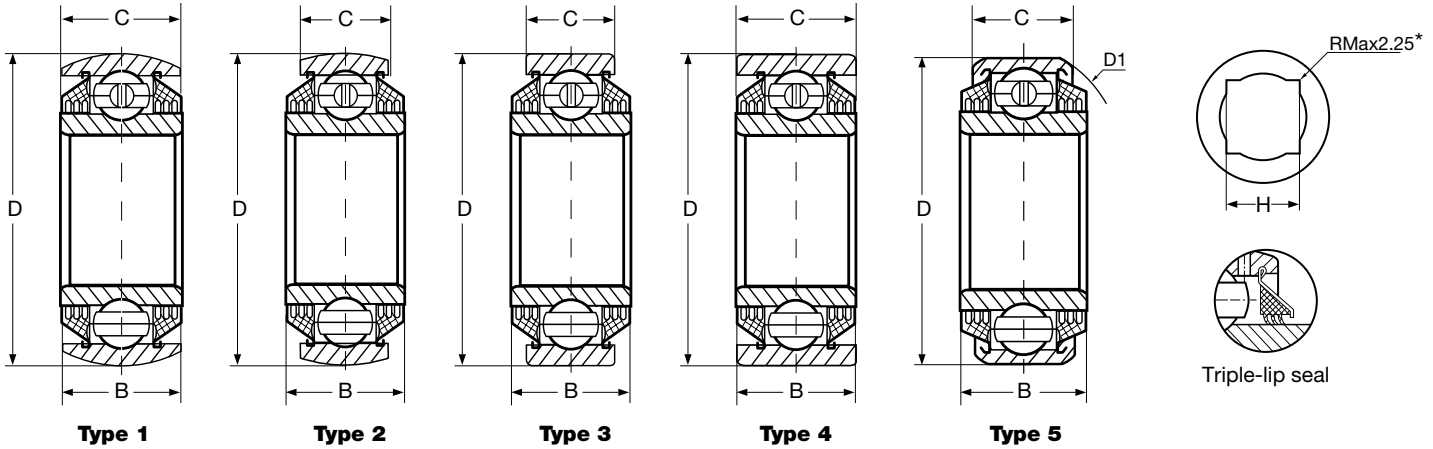


DISC HARROW BEARINGS

Square Bore • Non-Regreasable • Triple Lips Seals



HLU Bearing No.	Type	Shaft Size in.	Dimensions (in./mm)							Load Ratings lbs		Weight lbs
			H		D Outer Diameter	D1 + 0 to minus Outer Tolerance	C Outer Ring	B Inner Ring	Dynamic Cr	Static Cor		
			Bore Nominal	Bore Tolerance								
W208PP5	3	1 1/8	1.1800 29.97	± .005 ± .127	3.1496 80	.0005 .013	-	.7087 18	1.4380 36.525	8093	4456	1.35
W208PPB5	2	1 1/8	1.1800 29.97	± .005 ± .127	3.1496 80	.0005 .013	-	.7087 18	1.4380 36.525	8093	4456	1.33
W208PP6	3	1	1.0236 26	± .005 ± .127	3.1496 80	.0005 .013	-	.7087 18	1.4380 36.525	8093	4456	1.50
W208PPB6	2	1	1.0236 26	± .005 ± .127	3.1496 80	.0005 .013	-	.7087 18	1.4380 36.525	8093	4456	1.48
W208PP8	3	1 1/8	1.1800 29.97	± .005 ± .127	3.1496 80	.0005 .013	-	1.1880 30.175	1.4380 36.525	8093	4456	1.61
W208PPB8	2	1 1/8	1.1800 29.97	± .005 ± .127	3.1496 80	.0005 .013	-	1.1880 30.175	1.4380 36.525	8093	4456	1.46
W208PPB11	5	7/8	0.9043 22.97	± .005 ± .127	3.3760 85.75	.0006 .015	3.4429 87.45	1.1880 30.175	1.4380 36.525	8093	4456	2.20
W208PPB12	5	1 1/8	1.1800 29.97	± .005 ± .127	3.3760 85.75	.0005 .013	3.4429 87.45	1.1880 30.175	1.4375 36.512	8093	4456	1.95
W208PPB13	2	7/8	0.9043 22.97	± .005 ± .127	3.1496 80	.0005 .013	-	.7087 18	1.4380 36.525	8093	4456	1.56
W209PPB5	2	1 1/4	1.2992 33	± .005 ± .127	3.3465 85	.0006 .015	-	1.1880 30.175	1.4380 36.525	8093	4602	1.69
W210PP4	4	1 1/8	1.1800 29.97	± .005 ± .127	3.5433 90	.0006 .015	-	1.1880 30.175	1.1880 30.175	8835	5215	2.00
W210PPB4	1	1 1/8	1.1800 29.97	± .005 ± .127	3.5433 90	.0006 .015	-	1.1880 30.175	1.1880 30.175	8835	5215	1.89
W210PPB6	2	1 1/8	1.1800 29.97	± .005 ± .127	3.5433 90	.0006 .015	-	1.1880 30.175	1.4380 36.525	8835	5215	2.12
W211PP3	4	1 1/2	1.5311 38.89	± .005 ± .127	3.9370 100	.0006 .015	-	1.3120 33.325	1.3120 33.325	9756	6571	2.50
W211PPB3	1	1 1/2	1.5311 38.89	± .005 ± .127	3.9370 100	.0006 .015	-	1.3120 33.325	1.3120 33.325	9756	6571	2.32
W211PP5	3	1 1/2	1.5311 38.89	± .005 ± .127	4.0000 101.6	.0006 .015	-	1.4380 36.525	1.7500 44.45	9756	6571	3.13
W211PPB6	5	1 1/2	1.5311 38.89	± .005 ± .127	4.0772 103.56	.0010 .030	4.1299 104.9	1.4380 36.525	1.7500 44.45	9756	6571	3.25

* For outer ring sizes through 212.