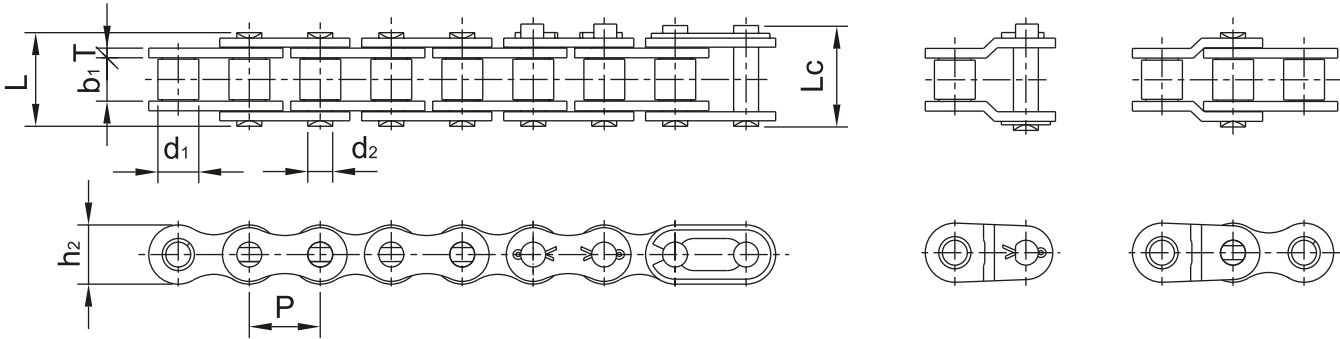


# SINGLE STRAND - RIVETED TYPE

Enduroline Series • ANSI Precision Roller Chain



HLU ANSI Chain No.	Pitch	Roller Diameter	Width between Inner Plates	Pin Diameter	Pin Length		Inner Plate Depth	Plate Thickness	Minimum Ultimate Tensile Strength ANSI Std.	Average Tensile Strength	Weight
	P	d1 max	b1 min	d2 max	L max	Lc max	h2 max	T	lbs	lbs	lbs/ft
	in.	in.	in.	in.	in.	in.	in.	in.			
*25-1R	.2500	.1299	.1220	.0909	.3150	.3898	.2370	.0315	780	989	.09
*35-1R	.3750	0.2000	.1843	.1409	.4882	.5100	.3425	.0512	1760	2338	.22
41-1R	.5000	.3059	.2461	.1409	.5413	.6299	.3902	.0492	1500	2653	.27
40-1R	.5000	.3130	.3091	.1559	.6535	.7520	.4752	.0591	3125	4001	.42
50-1R	.6250	.4000	.3701	.2000	.8150	.9173	.5941	.0811	4880	6294	.70
60-1R	.7500	.4689	.4949	.2339	1.0197	1.1260	.7118	.0961	7030	8767	1.01
80-1R	1.0000	.6252	.6201	.3118	1.2874	1.4961	.9500	.1283	12500	16073	1.75
100-1R	1.2500	.7500	.7441	.3752	1.6181	1.7677	1.1882	.1575	19530	22930	2.63
120-1R	1.5000	.8752	.9929	.4370	2.0000	2.2087	1.4252	.1890	28125	35271	3.78
140-1R	1.7500	1.0000	.9929	.5000	2.1614	2.3937	1.6630	.2224	38280	47388	5.04
160-1R	2.0000	1.1252	1.2421	.5618	2.5787	2.8583	1.9000	.2539	50000	60629	6.79
180-1R	2.2500	1.4059	1.3969	.6874	2.8661	3.2677	2.1382	.2854	63280	73689	9.04
200-1R	2.5000	1.5622	1.4902	.7815	3.1614	3.5630	2.3752	.3150	78125	92168	10.85
240-1R	3.0000	1.8752	1.8642	.9374	3.7598	4.1732	2.8500	.3740	112500	131598	15.59

\* Chain is rollerless. Bushing diameter shown.