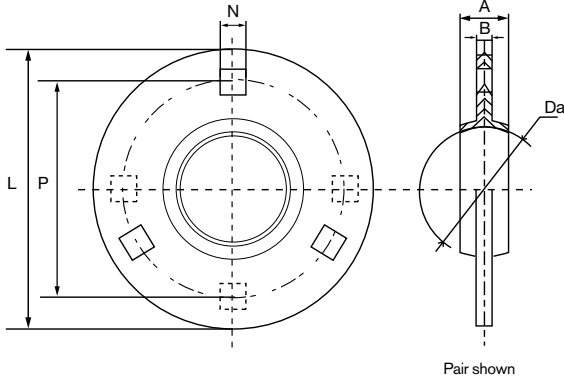


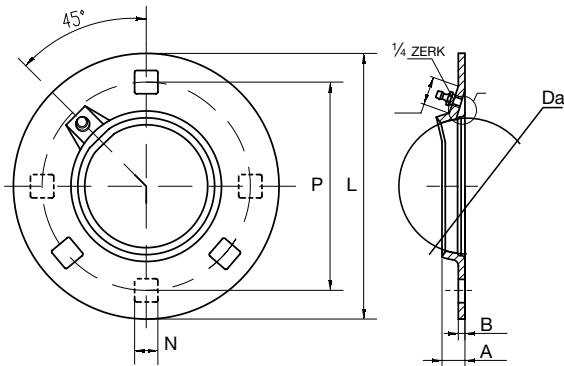
## MSZP 3 & 4-BOLT ROUND FLANGES - Non-relube



HLU Stamping No.	Dimensions (in.) (mm)						Number of Bolt holes	Weight lbs
	Da	L	P	A	B	N		
40MSZP	1.5748 40	3.1890 81	2.5000 63.5	0.5512 14	0.1575 4	0.2795 7.1	3@120°	.15
47MSZP	1.8504 47	3.5433 90	2.8150 71.5	0.6299 16	0.1575 4	0.3543 9	3@120°	.18
52MSZP	2.0472 52	3.7402 95	2.9921 76	0.6693 17	0.1575 4	0.3543 9	3@120°	.19
62MSZP	2.4409 62	4.4488 113	3.5630 90.5	0.6693 17	0.1969 5	0.4331 11	3@120°	.31
72MSZP	2.8346 72	4.8031 122	3.9370 100	0.7874 20	0.1969 5	0.4331 11	3@120°	.37
80MSZP	3.1496 80	5.8268 148	4.6850 119	0.9055 23	0.2756 7	0.5315 13.5	4@90°	.76
85MSZP	3.3465 85	5.9055 150	4.7441 120.5	0.9055 23	0.2756 7	0.5315 13.5	4@90°	.77
90MSZP	3.5433 90	6.1811 157	5.000 127	0.9843 25	0.3150 8	0.5315 13.5	4@90°	.96
100MSZP	3.9370 100	6.6142 168	5.4331 138	1.0236 26	0.3150 8	0.5315 13.5	4@90°	1.55

Sold per each. Two pieces required per bearing.

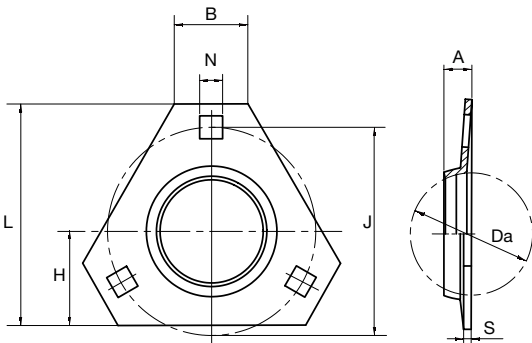
## MSZPG 3 & 4-BOLT ROUND FLANGES - Relube



HLU Stamping No.	Dimensions (in.) (mm)						Number of Bolt holes	Weight lbs
	Da	L	P	A	B	N		
52MSZPG	2.0472 52	3.7500 95.25	3.0000 76.2	0.3425 8.7	0.0787 2	0.3437 8.73	3@120°	.20
62MSZPG	2.4409 62	4.4370 112.7	3.5630 90.5	0.3543 9	0.0984 2.5	0.4055 10.3	3@120°	.34
72MSZPG	2.8346 72	4.8110 122.2	3.9370 100	0.4331 11	0.1378 3.5	0.4055 10.3	3@120°	.51
80MSZPG	3.1496 80	5.8110 147.6	4.6874 119.06	0.6260 15.9	0.1378 3.5	0.5315 13.5	4@90°	.81
85MSZPG	3.3465 85	5.8740 149.2	4.7480 120.6	0.6260 15.9	0.1378 3.5	0.5315 13.5	4@90°	.83
90MSZPG	3.5433 90	6.1811 157	5.0000 127	0.4921 12.5	0.1575 4	0.5315 13.5	4@90°	.96
100MSZPG	3.9370 100	6.5630 166.7	5.4370 138.1	0.6575 16.7	0.1575 4	0.5315 13.5	4@90°	2.00

Sold per each. Order one relube and one non-relube to make a set.

## MSTRZP 3-BOLT TRIANGULAR FLANGES - Non-relube



HLU Stamping No.	Dimensions (in.) (mm)								Number of Bolt holes	Weight lbs
	Da	L	J	H	B	A	N	S		
40MSTRZP	1.5748 40	2.7362 69.5	2.5000 63.5	1.1417 29	0.8622 21.9	0.2756 7	0.2795 7.1	0.0787 2	3@120°	.10
47MSTRZP	1.8504 47	3.0669 77.9	2.8150 71.5	1.2992 33	1.0433 26.5	0.3150 8	0.3543 9	0.0787 2	3@120°	.12
52MSTRZP	2.0472 52	3.1693 80.5	3.0000 76.2	1.3740 34.9	1.0945 27.8	0.3445 8.75	0.3425 8.7	0.0787 2	3@120°	.13
62MSTRZP	2.4409 62	3.7874 96.2	3.5630 90.5	1.4960 38	0.9488 24	0.3740 9.5	0.4331 11	0.0984 2.5	3@120°	.20
72MSTRZP	2.8346 72	4.1457 105.3	3.9370 100	1.7480 44.4	1.2677 32.2	0.3740 9.5	0.4055 10.3	0.0984 2.5	3@120°	.24

Sold per each. Two pieces required per bearing.