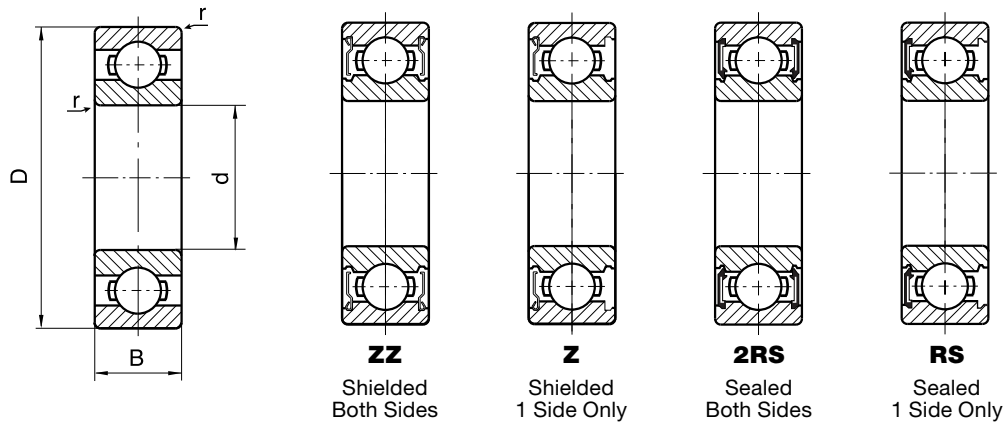


RADIAL BEARINGS - R SERIES

Deep Groove Ball Bearings • Inch Series • Abec 1 Precision



HLU Bearing No.	Dimensions (inches)							Basic Load Ratings lbs		Weight lbs	
	Bore d	Tolerance +.0000 to minus	OD D	Tolerance +.0000 to minus	Width B		Tolerance +.0000 to minus	Fillet Radius *r	Dynamic Cr		Static Cor
					open	shielded / sealed					
R2	0.1250 1/8	.0003	0.3750 3/8	.00030	0.1563 5/32	0.1563 5/32	.0050	0.012	144	51	0.003
R2A	0.1250 1/8	.0003	0.5000 1/2	.00030	0.1719 11/64	0.1719 11/64	.0050	0.012	144	51	0.007
R3	0.1875 3/16	.0003	0.5000 1/2	.00030	0.1563 5/32	0.1960	.0050	0.012	294	109	0.006
R4	0.2500 1/4	.0003	0.6250 5/8	.00030	0.1960	0.1960	.0050	0.012	330	135	0.010
R4A	0.2500 1/4	.0003	0.7500 3/4	.00035	0.2187 7/32	0.2813 9/32	.0050	0.016	542	205	0.022
R6	0.3750 3/8	.0003	0.8750 7/8	.00035	0.2187 7/32	0.2813 9/32	.0050	0.016	753	317	0.026
R8	0.5000 1/2	.0003	1.1250 1-1/8	.00035	0.2500 1/4	0.3125 5/16	.0050	0.016	1149	535	0.046
R10	0.6250 5/8	.0003	1.3750 1-3/8	.00045	0.2813 9/32	0.3437 11/32	.0050	0.032	1349	731	0.081
R12	0.7500 3/4	.0004	1.6250 1-5/8	.00045	0.3125 5/16	0.4375 7/16	.0050	0.032	1882	1016	0.139
R14	0.8750 7/8	.0004	1.8750 1-7/8	.00045	0.3750 3/8	0.5000 1/2	.0050	0.032	2261	1331	0.214
R16	1.0000 1	.0004	2.0000 2	.00050	0.3750 3/8	0.5000 1/2	.0050	0.032	2261	1331	0.236
R18	1.1250 1-1/8	.0004	2.1250 2-1/8	.00050	0.3750 3/8	0.5000 1/2	.0050	0.032	2675	1677	0.269
R20	1.2500 1-1/4	.0005	2.2500 2-1/4	.00050	0.3750 3/8	0.5000 1/2	.0050	0.032	2974	1866	0.276
R22	1.3750 1-3/8	.0005	2.5000 2-1/2	.00050	0.4375 7/16	0.5625 9/16	.0050	0.032	3644	2342	0.364
R24	1.5000 1-1/2	.0005	2.6250 2-5/8	.00050	0.4375 7/16	0.5625 9/16	.0050	0.032	3828	2630	0.379

*Maximum shaft or housing fillet radius that bearing corners will clear.
C3 internal clearance fit on standard stock items.