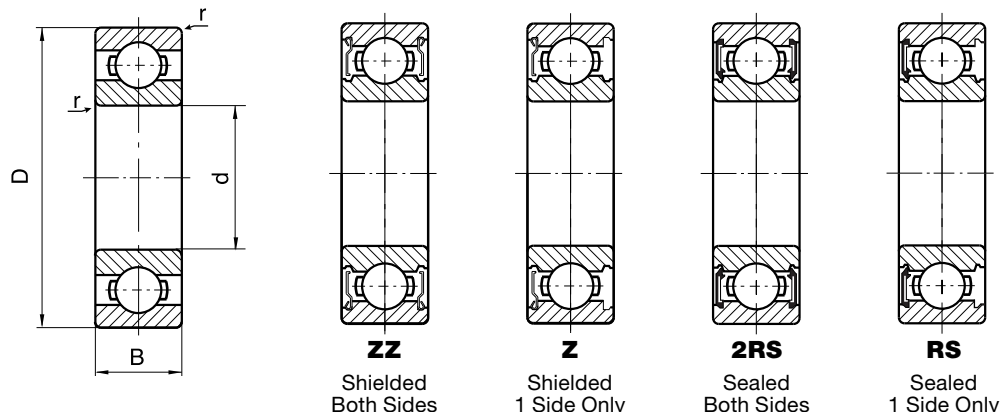


RADIAL BEARINGS - 6300 SERIES

Deep Groove Ball Bearings • Single Row • Abec 1 Precision



HLU Bearing No.	Dimensions (in.) (mm)							Basic Load Ratings lbs		Weight lbs	Limiting Speed of Open Bearing rpm	
	Bore d	Tolerance +.0000 to minus	OD D	Tolerance +.0000 to minus	Width B	Tolerance +.0000 to minus	Fillet Radius *r	Dynamic Cr	Static Cor		grease	oil
6300	0.3937 10	.0003 .008	1.3780 35	.00045 .011	0.4331 11	.0047 .12	0.024 0.6	1717	780	0.117	23000	27000
6301	0.4724 12	.0003 .008	1.4567 37	.00045 .011	0.4724 12	.0047 .12	.039 1.0	2181	942	0.132	20000	24000
6302	0.5906 15	.0003 .008	1.6535 42	.00045 .011	0.5118 13	.0047 .12	0.039 1.0	2563	1221	0.181	17000	21000
6303	0.6693 17	.0003 .008	1.8504 47	.00045 .011	0.5512 14	.0047 .12	0.039 1.0	3035	1472	0.254	16000	19000
6304	0.7874 20	.0004 .010	2.0472 52	.0005 .013	0.5906 15	.0047 .12	0.043 1.1	3574	1776	0.317	14000	17000
6305	0.9843 25	.0004 .010	2.4409 62	.0005 .013	0.6693 17	.0047 .12	0.043 1.1	4766	2450	0.511	12000	14000
6306	1.1811 30	.0004 .010	2.8346 72	.0005 .013	0.7480 19	.0047 .12	0.043 1.1	6002	3372	0.794	10000	12000
6307	1.3780 35	.00045 .012	3.1496 80	.0005 .013	0.8268 21	.0047 .12	0.059 1.5	7531	4294	1.008	8800	10000
6308	1.5748 40	.00045 .012	3.5433 90	.0006 .015	0.9055 23	.0047 .12	0.059 1.5	9104	5395	1.396	7800	9200
6309	1.7717 45	.00045 .012	3.9370 100	.0006 .015	0.9843 25	.0047 .12	0.059 1.5	11914	7194	1.795	7000	8200
6310	1.9685 50	.00045 .012	4.3307 110	.0006 .015	1.0630 27	.0047 .12	0.079 2.0	13938	8655	2.359	6400	7500
6311	2.1654 55	.0006 .015	4.7244 120	.0006 .015	1.1417 29	.006 .15	0.079 2.0	16073	10116	3.020	5800	6800
6312	2.3622 60	.0006 .015	5.1181 130	.0007 .018	1.2205 31	.006 .15	0.083 2.1	18434	11690	3.814	5400	6300
6313	2.5591 65	.0006 .015	5.5118 140	.0007 .018	1.2992 33	.006 .15	0.083 2.1	20794	13488	4.586	4900	5800
6314	2.7559 70	.0006 .015	5.9055 150	.0007 .018	1.3780 35	.006 .15	0.083 2.1	23379	15286	5.556	4600	5400
6315	2.9528 75	.0006 .015	6.2992 160	.0010 .025	1.4567 37	.006 .15	0.083 2.1	25402	17310	6.658	4300	5000
6316	3.1496 80	.0006 .015	6.6929 170	.0010 .025	1.5354 39	.006 .15	0.083 2.1	27650	19445	7.915	4000	4700
6317	3.3465 85	.0008 .020	7.0866 180	.0010 .025	1.6142 41	.008 .20	0.118 3.0	29898	21806	9.325	3800	4500
6318	3.5433 90	.0008 .020	7.4803 190	.0012 .030	1.6929 43	.008 .20	0.118 3.0	32146	24054	10.825	3600	4200
6319	3.7402 95	.0008 .020	7.8740 200	.0012 .030	1.7717 45	.008 .20	0.118 3.0	34394	26751	12.500	3300	3900
6320	3.9370 100	.0008 .020	8.4646 215	.0012 .030	1.8504 47	.008 .20	0.118 3.0	38890	31697	15.432	3200	3700

* Maximum shaft or housing fillet radius that bearing corners will clear.
C3 internal clearance fit on standard stock items.