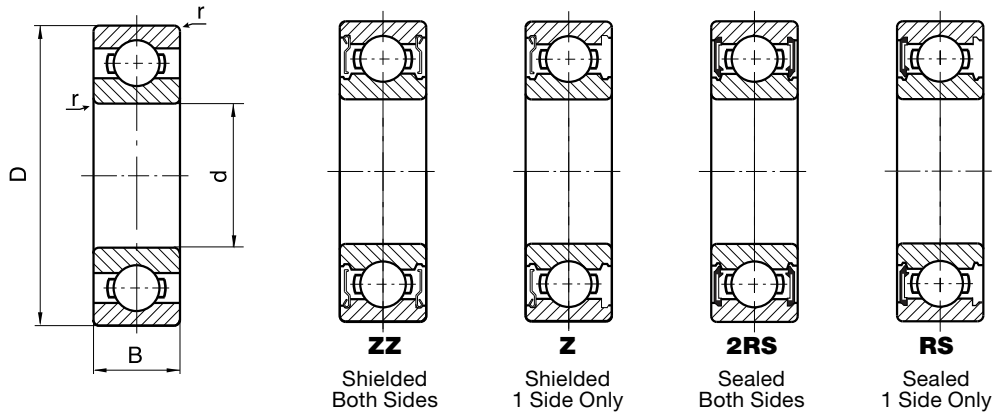


# RADIAL BEARINGS - 6200 SERIES

Deep Groove Ball Bearings • Single Row • Abec 1 Precision



HLU Bearing No.	Dimensions (in./mm)							Basic Load Ratings lbs		Weight lbs	Limiting Speed of Open Bearing rpm	
	Bore d	Tolerance +.0000 to minus	OD D	Tolerance +.0000 to minus	Width B	Tolerance +.0000 to minus	Fillet Radius *r	Dynamic Cr	Static Cor		grease	oil
6200	0.3937 10	.0003 .008	1.1811 30	.00035 .009	0.3543 9	.0047 .12	0.024 .6	1149	535	0.071	25000	30000
6201	0.4724 12	.0003 .008	1.2598 32	.00045 .011	0.3937 10	.0047 .12	0.024 .6	1389	688	0.082	22000	26000
6202	0.5906 15	.0003 .008	1.3780 35	.00045 .011	0.4331 11	.0047 .12	0.024 .6	1675	832	0.099	20000	26000
6202 5/8"	0.6250 15.875	.0003 .008	1.3780 35	.00045 .011	0.4331 11	.0047 .12	0.024 .6	1675	832	0.093	20000	26000
6203 5/8"	0.6250 15.875	.0003 .008	1.5748 40	.00045 .011	0.4724 12	.0047 .12	0.024 .6	2158	1075	0.146	18000	21000
6203	0.6693 17	.0003 .008	1.5748 40	.00045 .011	0.4724 12	.0047 .12	0.024 .6	2158	1034	0.143	18000	21000
6203 3/4"	0.7500 19.05	.0003 .008	1.5748 40	.00045 .011	0.4724 12	.0047 .12	0.024 .6	2158	1075	0.128	18000	21000
6204 3/4"	0.7500 19.05	.0004 .010	1.8504 47	.00045 .011	0.5512 14	.0047 .12	0.039 1.0	2886	1495	0.243	16000	18000
6204	0.7874 20	.0004 .010	1.8504 47	.00045 .011	0.5512 14	.0047 .12	0.039 1.0	2877	1495	0.234	16000	18000
6205	0.9843 25	.0004 .010	2.0472 52	.0005 .013	0.5906 15	.0047 .12	0.039 1.0	3147	1765	0.282	13000	15000
6205 1"	1.0000 25.4	.0004 .010	2.0472 52	.0005 .013	0.5906 15	.0047 .12	0.039 1.0	3147	1765	0.291	13000	15000
6206	1.1811 30	.0004 .010	2.4409 62	.0005 .013	0.6299 16	.0047 .12	0.039 1.0	4384	2540	0.439	11000	13000
6207	1.3780 35	.00045 .012	2.8346 72	.0005 .013	0.6693 17	.0047 .12	0.043 1.1	5777	3439	0.635	9800	11000
6208	1.5748 40	.00045 .012	3.1496 80	.0005 .013	0.7087 18	.0047 .12	0.043 1.1	6542	4001	0.807	8700	10000
6209	1.7717 45	.00045 .012	3.3465 85	.0006 .015	0.7480 19	.0047 .12	0.043 1.1	7306	4586	0.877	7800	9200
6210	1.9685 50	.00045 .012	3.5433 90	.0006 .015	0.7874 20	.0047 .12	0.043 1.1	7868	5215	1.001	7100	8300
6211	2.1654 55	.0006 .015	3.9370 100	.0006 .015	0.8268 21	.006 .15	0.059 1.5	9779	6564	1.325	6400	7600
6212	2.3622 60	.0006 .015	4.3307 110	.0006 .015	0.8661 22	.006 .15	0.059 1.5	11802	8093	1.726	6000	7000
6213	2.5591 65	.0006 .015	4.7244 120	.0006 .015	0.9055 23	.006 .15	0.059 1.5	12926	8992	2.183	5500	6500
6214	2.7559 70	.0006 .015	4.9213 125	.0007 .018	0.9449 24	.006 .15	0.059 1.5	13938	9891	2.359	5100	6000
6215	2.9528 75	.0006 .015	5.1181 130	.0007 .018	0.9843 25	.006 .15	0.059 1.5	14837	11128	2.601	4800	5600
6216	3.1496 80	.0006 .015	5.5118 140	.0007 .018	1.0236 26	.006 .15	0.079 2	16298	11914	3.086	4500	5300
6217	3.3465 85	.0008 .020	5.9055 150	.0007 .018	1.1024 28	.008 .20	0.079 2	18771	14387	3.946	4200	5000
6218	3.5433 90	.0008 .020	6.2992 160	.0010 .025	1.1811 30	.008 .20	0.079 2	21581	16073	4.740	4000	4700
6219	3.7402 95	.0008 .020	6.6929 170	.0010 .025	1.2598 32	.008 .20	0.083 2.1	24503	18434	5.776	3700	4400
6220	3.9370 100	.0008 .020	7.0866 180	.0010 .025	1.3386 34	.008 .20	0.083 2.1	27426	20906	6.922	3500	4200

\* Maximum shaft or housing fillet radius that bearing corners will clear.

C3 internal clearance fit on standard stock items.