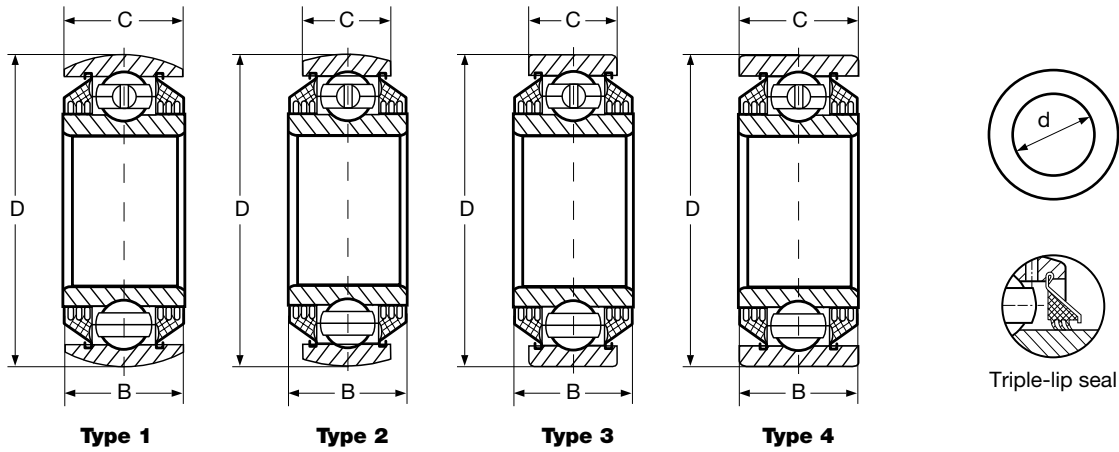


DISC HARROW BEARINGS

Round Bore • Non-Regreasable • Triple Lip Seals



HLU Bearing No.	Type	Shaft Size in.	Dimensions ^(in.) _(mm)						Load Ratings lbs		Weight lbs
			d + 0 to minus Bore Nominal Tolerance	D + 0 to minus Outer Diameter Tolerance	C Outer Ring	B Inner Ring	Dynamic Cr	Static Cor			
W208PPB2	2	1 1/2	1.5005 38.113	.0005 .013	3.1496 80	.0005 .013	0.7087 18	1.6880 42.875	8093	4456	1.33
W208PPB7	2	1 3/16	1.1880 30.175	.0005 .013	3.1496 80	.0005 .013	0.7087 18	1.1880 30.175	8093	4456	1.30
W209PPB2	1	1 3/4	1.7717 45	.0005 .013	3.3465 85	.0006 .015	1.1880 30.175	1.1880 30.175	8093	4602	1.23
W209PPB4	1	1 1/2	1.5354 39	.0098 .250	3.3465 85	.0006 .015	1.1880 30.175	1.1880 30.175	8093	4602	1.47
W210PP2	4	1 15/16	1.9380 49.225	.0005 .013	3.5433 90	.0006 .015	1.1880 30.175	1.1880 30.175	8835	5215	1.50
W210PPB2	1	1 15/16	1.9380 49.225	.0005 .013	3.5433 90	.0006 .015	1.1880 30.175	1.1880 30.175	8835	5215	1.37
W210PPB9	2	1 15/16	1.9448 49.400	.007 .178	3.5433 90	.0006 .015	0.9055 23	1.4382 36.530	8835	5215	1.37
W211PP2	4	2 3/16	2.1880 55.575	.0006 .015	3.9370 100	.0006 .015	1.3120 33.325	1.3120 33.325	9756	6571	1.95
W211PPB2	1	2 3/16	2.1880 55.575	.0006 .015	3.9370 100	.0006 .015	1.3120 33.325	1.3120 33.325	9756	6571	1.86